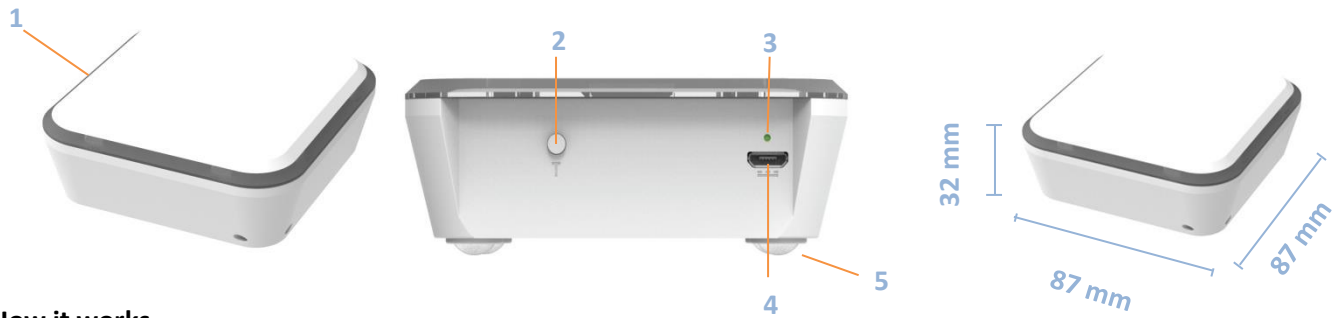


# SENSO Bridge

## Datasheet



### How it works

SENSO Bridge is a signal repeater by means of which the signal coverage between SENSO devices can be significantly increased. It receives signals from SENSO transmitters and re-transmits them to SENSO receivers. Activation of repeater is accompanied with color LED light guide. Internal rechargeable battery allows for operation for 24 hours in a power cut.

### Controls and indicators

- 1 – Light guide
- 2 – Test button
- 3 – Battery charge indicator
- 4 – Power supply microUSB
- 5 – Anti-skid legs

### Size and weight

Height: 32 mm / 1.25 inch  
Width: 87 mm / 3.42 inch  
Depth: 87 mm / 3.42 inch  
Weight (net): 98 g / 3.45 oz

### In the box

SENSO Bridge repeater  
SENSO S-Wallmount  
Power adapter  
USB-microUSB cable  
User manual

### General data

#### Specifications:

- Material: ABS plastic
- Radio frequency: 433.92 MHz
- Coverage: up to 100 m, depending on building's characteristics.

- Light guide: 7 colors
- Intrusion and water protection: IP 20

#### Battery charge indication:

- Red blink – battery empty
- Orange – battery charging
- Green – battery fully charged

#### Environmental requirements:

- Temperature: from 0°C to 40°C

### Power management

SENSO Bridge is powered by the mains through a power adapter. It comprises a backup built-in battery.

#### Battery:

- Type: Li-Pol, rechargeable
- Position: non-replaceable
- Voltage: 3.7 V
- Capacity: 550 mAh
- Estimated recharging time: 8 hours
- Operating time in a power cut after a full charge: 24 hours

#### Power supply:

- Input: 100-240V AC 50 Hz
- Output: 5V DC 2100 mA
- Power consumption: active  $\leq$  50 mA

### Accessories (available separately)

SENSO S-Tablestand

### Regulatory and standards

Radio equipment: 2014/53/EU RED directive

Safety: EN 62368-1:2014/A11:2017

EMC: EN 301 489-1

EN 301 489-3

SRD: EN 300 220-1

EN 300 220-2



SENSO Bridge is a part of SENSO assistive listening system for hearing impaired people.

Learn more how to improve quality of life with SENSO on <http://en.istok-audio.com/products/alerting-systems/>