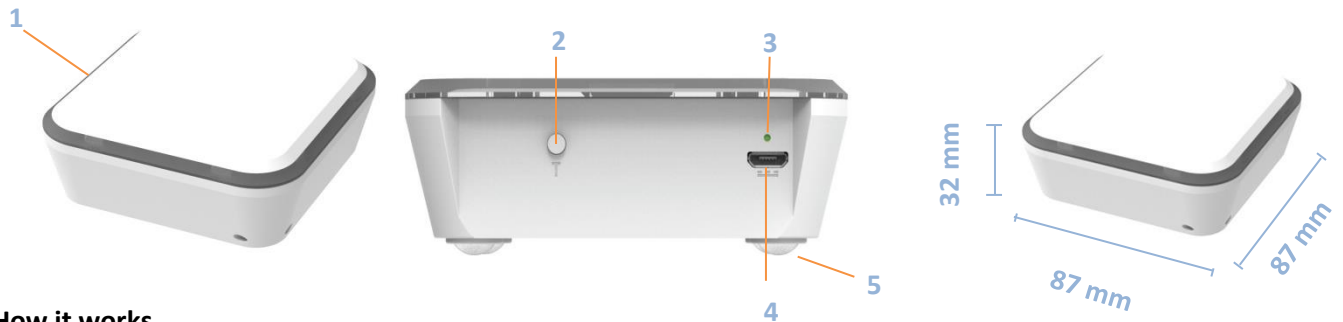


SENSO Smartphone

Datasheet



How it works

SENSO Smartphone is a signal repeater designed to send alerting notifications from SENSO transmitters to user's smartphone via Bluetooth. Activation of transmitter is accompanied with color LED light guide. The repeater is compatible with Android and iOS smartphones. SENSO Smartphone communicates with SENSO application available on App Store and Google Play Market for free.

Controls and indicators

- 1 – Light guide
- 2 – Test button
- 3 – Battery charge indicator
- 4 – Power supply micro-USB
- 5 – Anti-skid legs

Size and weight

Height: 32 mm / 1.26 inch
Width: 87 mm / 3.42 inch
Depth: 87 mm / 3.42 inch
Weight (net): 96 g / 3.39 oz.

In the box

SENSO Smartphone repeater
SENSO Wallmount
Power adapter
USB-microUSB cable
User manual

General data

Specifications:

- Material: ABS plastic
- Radio frequency: 433.92 MHz
- RF coverage: up to 100 m, depending on building's characteristics. Coverage can be extended via SENSO Bridge repeater
- Bluetooth: 4.0 and higher
- Bluetooth coverage: 50 m, depending on environment
- Compatible Android OS version: 5 and higher
- Compatible iOS version: 10 and higher
- Light guide: 7 colors
- Intrusion and water protection: IP20

Battery charge indication:

- Red blink – battery empty
- Orange – battery charging
- Green – battery fully charged

Environmental requirements:

- Temperature: from 0°C to +40°C
- Relative humidity: from 5% to 95%

Power management

SENSO Smartphone is powered by the mains through a power adapter. It comprises a backup built-in battery.

Battery:

- Type: Li-Pol, rechargeable
- Position: non-replaceable
- Voltage: 3.7 V
- Capacity: 550 mAh
- Estimated recharging time: 8 hours
- Operating time after a full charge in a power cut: 24 hours

Power supply:

- Input: 100-240V AC 50 Hz
- Output: 5V DC 2100 mA
- Power consumption: active \leq 50 mA

Accessories (available separately)

SENSO Tablestand

Regulatory and standards

Radio equipment: 2014/53/EU RED directive

Safety: EN 62368-1:2014/A11:2017

EMC: EN 301 489-1
EN 301 489-3

SRD: EN 300 220-1
EN 300 220-2



SENSO Smartphone is a part of SENSO assistive listening system for hearing impaired people.

Learn more how to improve quality of life with SENSO on <http://en.istok-audio.com/products/alerting-systems/>

